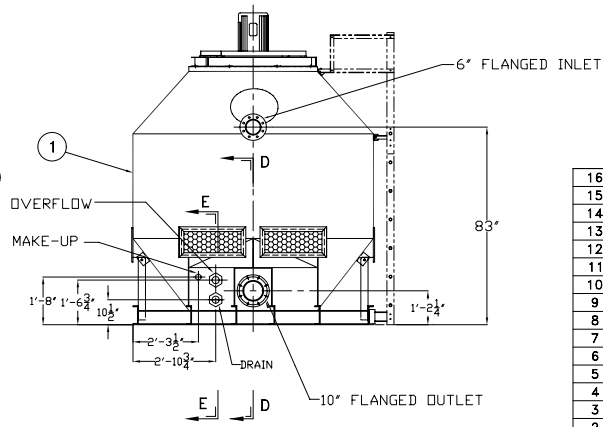
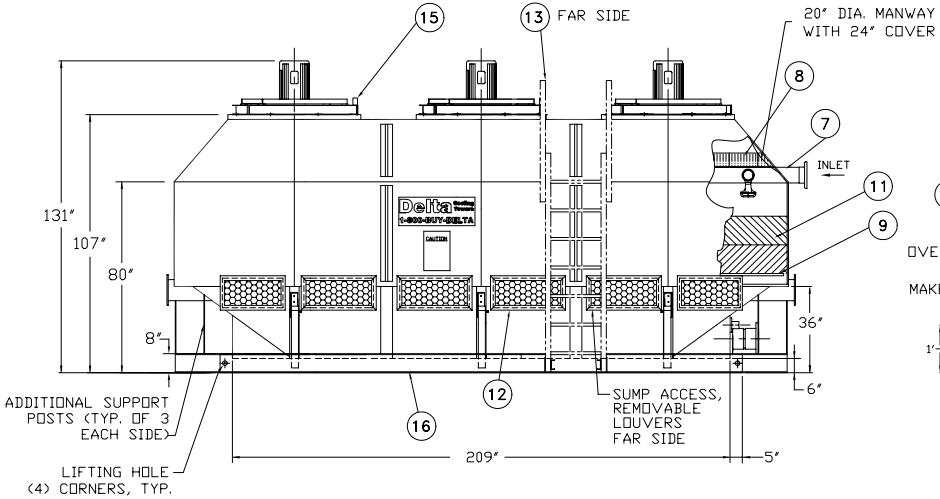


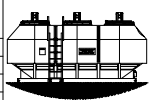
**NOTES:**

- DIMENSIONS SHOWN ARE NOMINAL AND ARE SUBJECT TO FABRICATION TOLERANCES.
- MOUNTING BASE TO BE INSTALLED ON A RIGID STRUCTURE, PROPERLY SUPPORTED. SEE DWG. # DT-D-86-912.
- EXTERNAL PIPING MUST BE INDEPENDENTLY SUPPORTED.
- PIPING AND BULKHEAD FITTING MATERIAL IS PVC.
- HARDWARE MATERIAL IS TYPE 304 STAINLESS STEEL.
- FAN ASSEMBLY SHIPPED INSTALLED ON TOWER.
- FOR BOTTOM OUTLET MAXIMUM OPENING IN SUPPORT TO BE 22" x 22".
- MAXIMUM INLET WATER TEMPERATURE 140°F. (CONSULT FACTORY FOR HIGHER TEMP. APPLICATIONS.)
- SEE DWG. NO DT-D-86-914 FOR MULTICELL LAYOUT.
- ALL DIMENSIONS ARE IN INCHES.
- ALL WEIGHTS ARE IN POUNDS. DRY WT. INCLUDES; FAN ASSEMBLY AND TOWER COMPLETE AND MOUNTING PLATFORM. OPERATING WT. INCLUDES A FULL SUMP.



ITEM	QTY	PART NO.	DESCRIPTION	MATERIAL	REMARKS
16	1		MOUNTING BASE	PREM. COATED STL.	
15	3		VIBRATION SWITCH	STEEL	OPTIONAL
14	1		FLOAT VALVE	BRONZE	
13	1		LADDER ASSEMBLY	ALUMINUM	OPTIONAL
12	16		LOUVER WINDOW	PVC	
11	1 SET		FILL	PVC	
10	1		STRAINER	PLASTIC	OPTIONAL
9	1		FILL SUPPORT	FRP	
8	1 SET		MIST ELIMINATOR	PVC	
7	1		WATER DISTRIBUTION	PVC	
6	3		FAN GUARD	COATED STEEL	SPLIT
5	3		PROPELLER	FRP/POLYPROP	
4	3		ELECTRICAL CONN.	ALUMINUM	
3	3		MOTOR	ALUM/STEEL	TEAD, 1200 RPM
2	3		FAN RING	COATED STEEL	
1	1		TOWER SHELL	POLYETHYLENE	

**BILL OF MATERIALS**



**DELTA COOLING TOWERS, INC.**  
 41 PINE STREET, ROCKAWAY, NJ 07866  
 PH 973.586.2201 FAX 973.586.2243

**TITLE** ΔTR305812 THRU ΔTR310812  
**PREMIER COOLING TOWER**

**APPVD BY** *Bonnie L. Odde*  
**APPVD BY** *W.A. Pullman*

**SCALE** NTS **DWG NO.** DT-D-86-929  
**DATE** 8/23/06

TOWER	ΔTR305812	ΔTR375812	ΔTR310812
HP	(3) X 5	(3) X 7.5	(3) X 10
DRY WT.	6,050	6,160	6,350
OPER. WT.	12,130	12,240	12,430
FAN WT.	385	435	485
SUMP CAP	720 GAL.	720 GAL.	720 GAL.

INFORMATION CONTAINED HEREIN IS SUBJECT TO CHANGE WITHOUT NOTICE IN THE INTEREST OF PRODUCT IMPROVEMENT.