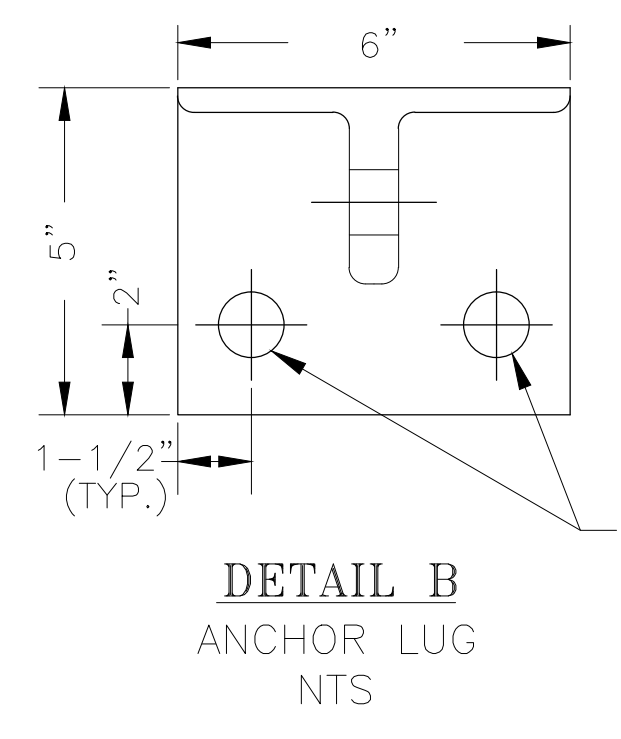
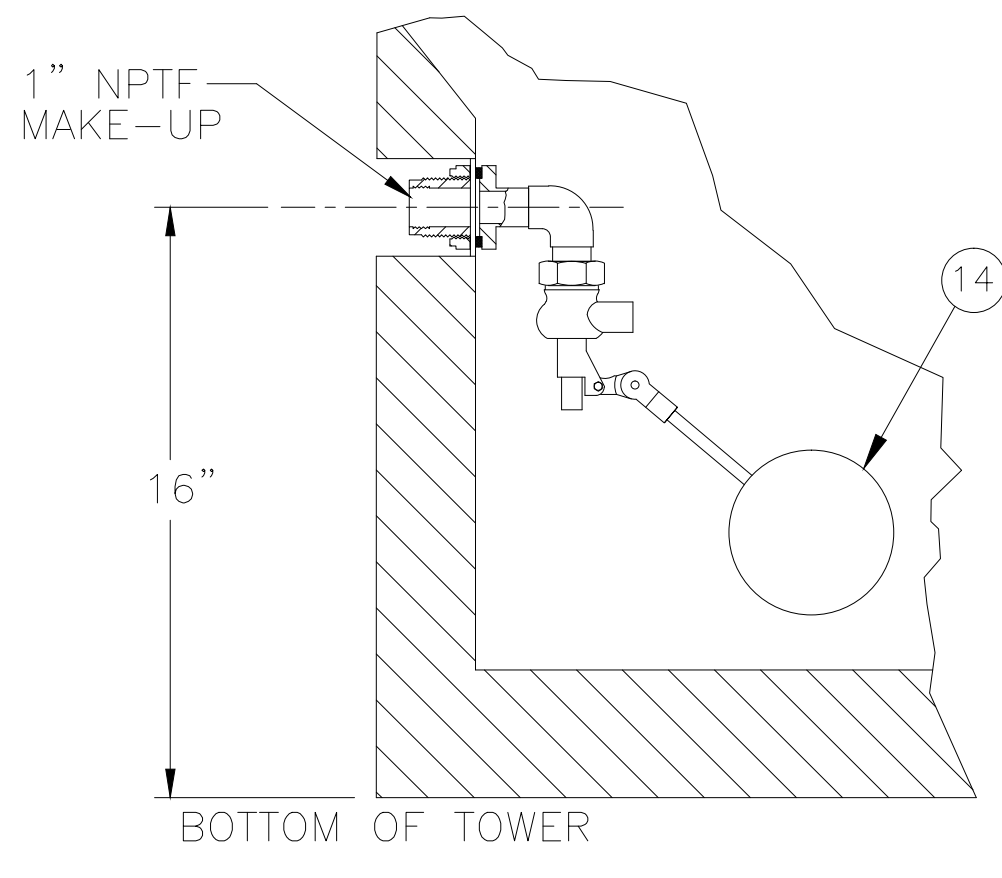
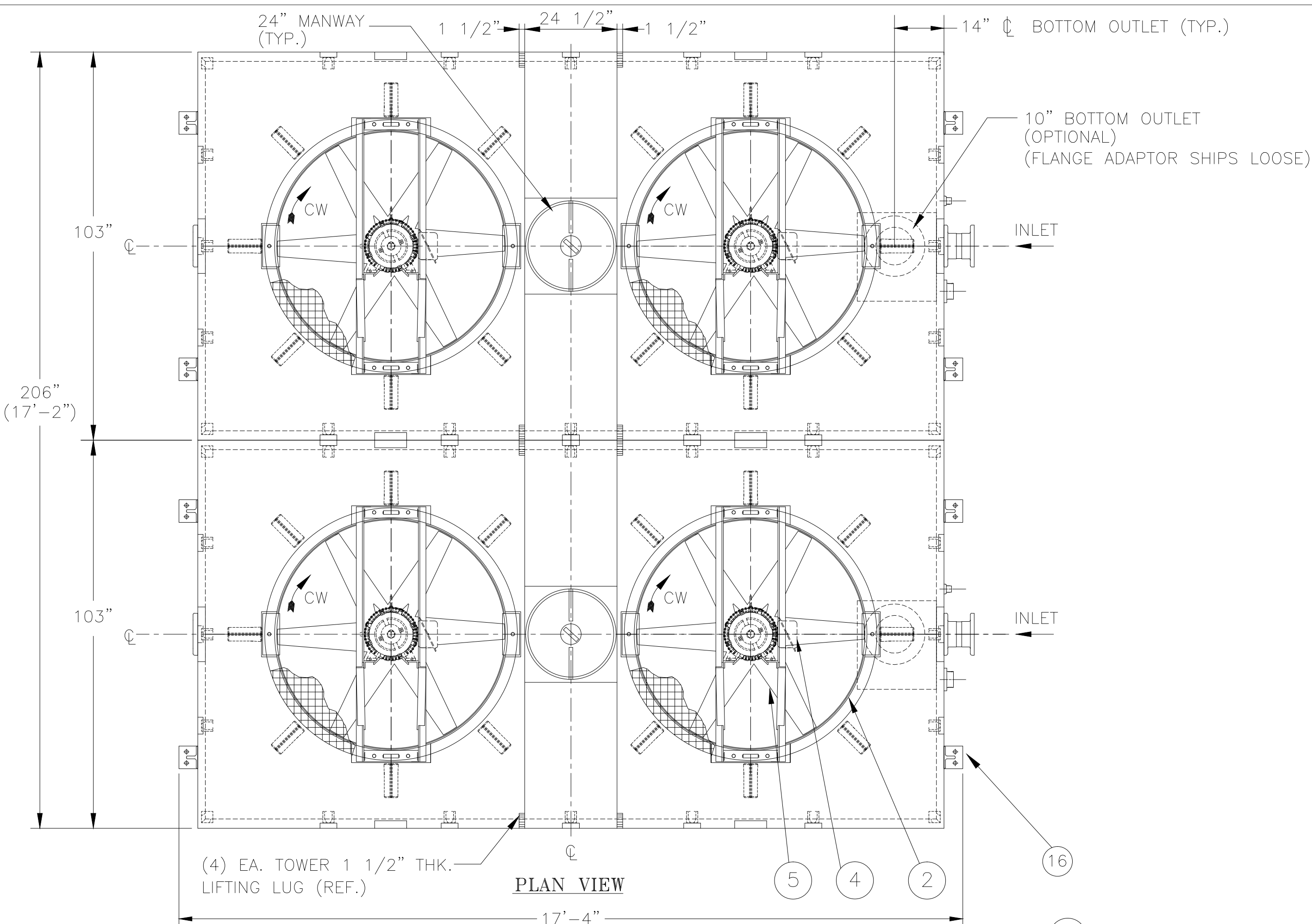
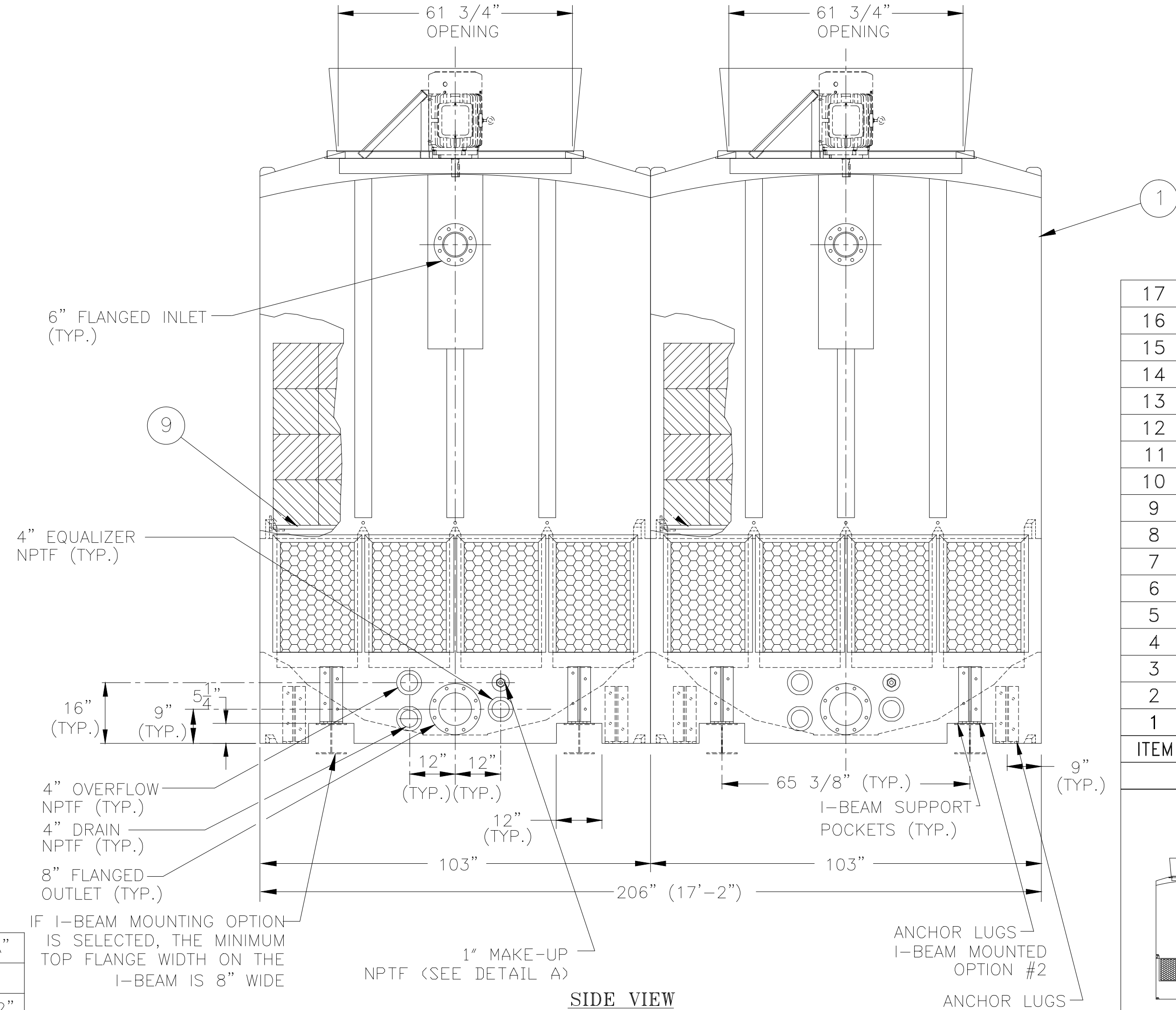
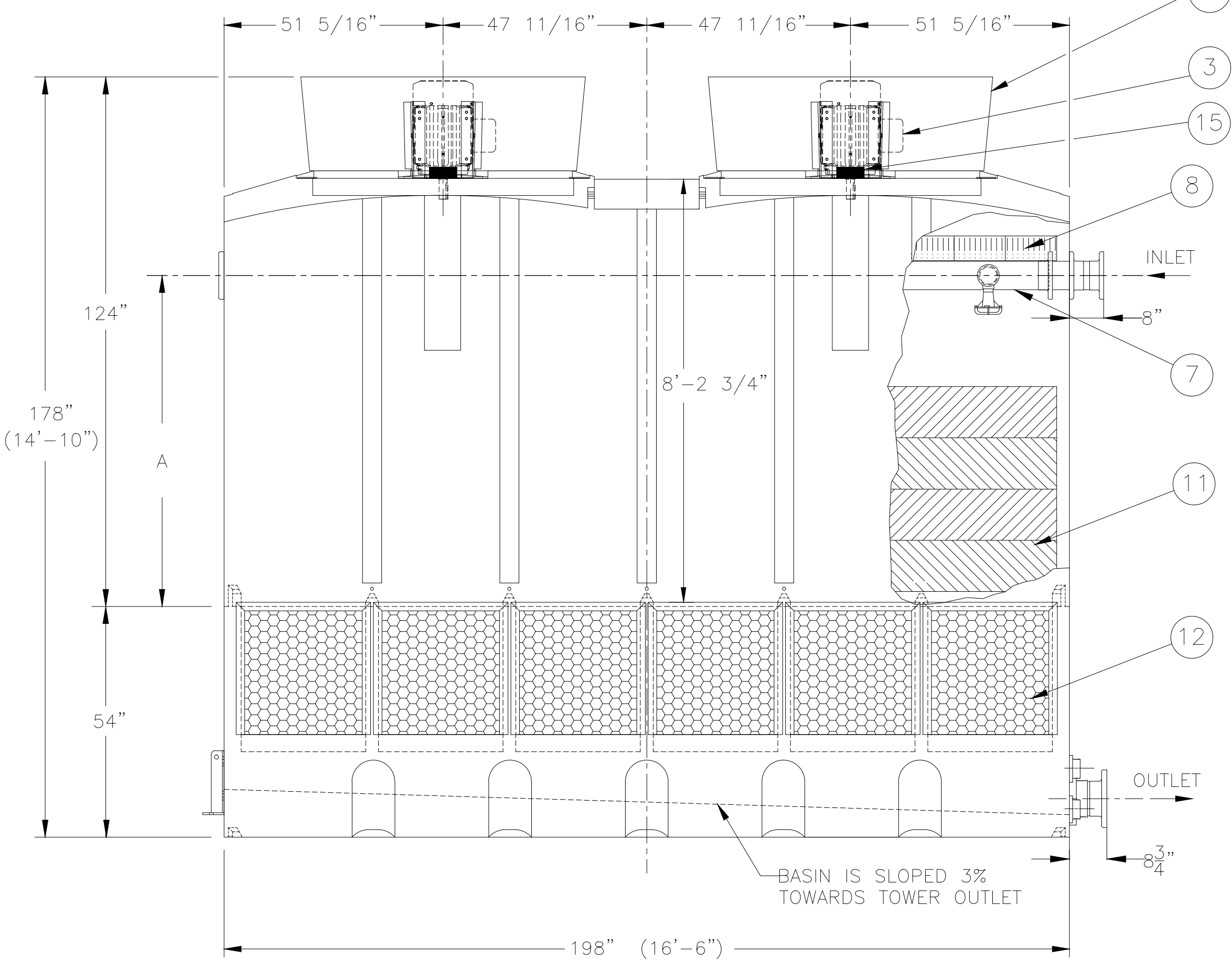


| DATE     | SYM | REVISION                       | AUTH | CHK |
|----------|-----|--------------------------------|------|-----|
| 2/28/02  | A   | REV. INLET                     | BLO  | JF  |
| 4/8/02   | B   | REV. OUTLET & POCKETS          | BLO  | JF  |
| 1/28/03  | C   | ADDED ANCHOR LUG DETAILS       | GT   | JF  |
| 2/4/03   | D   | ADDED OPTIONAL OUTLET DIM.     | GT   | JF  |
| 5/09/05  | E   | ADJUST WEIGHTS                 | JRB  | JF  |
| 5/09/05  | F   | ADJUST DIM. W/ ANCHOR LUGS     | JRB  | JF  |
| 8/19/05  | G   | ADD DIM., ELEVATION TABLE      | KF   | JF  |
| 9/19/06  | H   | MOD. MAKE-UP, ANCHOR LUGS      | KF   | JBH |
| 2/16/07  | I   | REVISED NUMBER OF LOUVERS      | KF   | JBH |
| 1/28/08  | J   | ADDED SUMP SLOPE NOTE          | KF   | JBH |
| 2/27/08  | K   | ADDED VORTEX BREAKER           | KF   | JBH |
| 9/18/08  | L   | REVISED BOTTOM OUTLET SQUARE   | KF   | JBH |
| 4/14/09  | M   | REVISED HEIGHT                 | KF   | JBH |
| 5/25/10  | N   | REV. MAKE-UP, LOUVER MATERIAL  | KF   | JBH |
| 6/10/10  | O   | REV. MAKE-UP MATERIAL          | KF   | JBH |
| 4/15/11  | P   | ADDED FLANGE ADAPTOR NOTE      | KF   | JBH |
| 10/26/11 | Q   | ADDED 3HP OPTION               | LM   | JBH |
| 4/26/13  | R   | REVISED ANCHOR LUG & BASE DIM. | FP   | JBH |
| 8/7/14   | S   | UPDATED DRAWING                | FP   | JBH |
| 10/9/14  | T   | I-BEAM POCKET DIMENSION        | FP   | JBH |



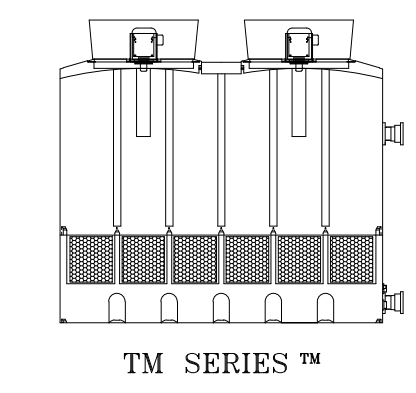
- NOTES:**
- DIMENSIONS SHOWN ARE NOMINAL AND ARE SUBJECT TO FABRICATION TOLERANCES.
  - EXTERNAL PIPING MUST BE INDEPENDENTLY SUPPORTED.
  - PIPING AND BULKHEAD FITTING MATERIAL IS PVC.
  - HARDWARE MATERIAL IS TYPE 304 STAINLESS STEEL.
  - FAN ASSEMBLY SHIPPED INSTALLED ON TOWER.
  - MAXIMUM INLET WATER TEMPERATURE 140°F. (CONSULT FACTORY FOR HIGHER TEMP. APPLICATIONS.)
  - ALL DIMENSIONS ARE IN INCHES.
  - ALL WEIGHTS ARE IN POUNDS. DRY WT. INCLUDES; FAN ASSEMBLY AND TOWER COMPLETE. OPERATING WT. INCLUDES A FULL SUMP.
  - TOWER MOUNTING OPTION #1 - CONCRETE PAD - ENTIRE TOWER BASIN BOTTOM SURFACE TO BE FULLY SUPPORTED BY AN APPROPRIATELY SIZED CONCRETE PAD.
  - TOWER MOUNTING OPTION #2 - BEAM SUPPORTED VIA I-BEAM POCKETS. \*SUPPORT BEAMS AND ANCHOR BOLTS ARE TO BE FURNISHED BY OTHERS. \*BEAMS SHOULD HAVE A MINIMUM TOP FLANGE WIDTH OF 8"(8"x31# RECOMMENDED) AND BE IN ACCORDANCE WITH ACCEPTABLE STRUCTURAL DESIGN PRACTICES. THESE BEAMS SHOULD BE LOCATED IN THE INTEGRALLY MOLDED I-BEAM POCKETS, AND SHOULD OVER-RUN THE LENGTH OF THE UNIT. \*DO NOT WELD OR BOLT DOWN BEAMS PRIOR TO SETTING THE COOLING TOWER SUMP(S).
  - FINAL YARD PIPING TO AND FROM THE TOWER SHOULD BE FABRICATED FOLLOWING INSTALLATION OF THE TOWERS ONSITE. DUE TO MANUFACTURING AND INSTALLATION TOLERANCES, PREFABRICATION OF EXTERNAL PIPING IS NOT RECOMMENDED.



| ITEM | QTY    | DESCRIPTION                 | MATERIAL      | REMARKS       |
|------|--------|-----------------------------|---------------|---------------|
| 17   | 1      | VORTEX BREAKER (NOT SHOWN)  | POLYETHYLENE  |               |
| 16   | 8      | ANCHOR LUGS                 | ALUMINUM      | DT-A-87-026   |
| 15   | 4      | VIBRATION SWITCH            | STEEL         | OPTIONAL      |
| 14   | 2      | FLOAT VALVE                 | POLYPROPYLENE |               |
| 13   | 1      | LADDER ASSEMBLY (NOT SHOWN) | ALUMINUM      | OPTIONAL      |
| 12   | 28     | LOUVER PANEL                | PVC           |               |
| 11   | 2 SETS | FILL                        | PVC           |               |
| 10   | 2      | STRAINER (NOT SHOWN)        | PLASTIC       | OPTIONAL      |
| 9    | 2      | FILL SUPPORT                | FRP           |               |
| 8    | 2 SETS | MIST ELIMINATOR             | PVC           |               |
| 7    | 2      | WATER DISTRIBUTION          | PVC           |               |
| 6    | 4      | VELOCITY RECOVERY STACK     | POLYETHYLENE  | WITH SCREEN   |
| 5    | 4      | PROPELLER                   | FRP/POLYPROP  |               |
| 4    | 4      | ELECTRICAL CONN.            | ALUMINUM      |               |
| 3    | 4      | MOTOR                       | ALUM./STEEL   | TEAO, 900 RPM |
| 2    | 4      | FAN RING                    | COATED STEEL  |               |
| 1    | 2      | TOWER SHELL                 | POLYETHYLENE  |               |

**BILL OF MATERIALS**

**DELTA COOLING TOWERS, INC.**  
 185 US HIGHWAY 206, ROXBURY TWP. NJ, 07836  
 PH 973.586.2201 FAX 973.586.2243  
**TITLE 2 CELL (3, 5 & 7 1/2 H.P.)**



TM SERIES™  
 DWN BY *Bonnie L. Oddo*  
 APPVD BY *John Flaherty*  
 SCALE 1/2"=1'-0" DWG NO. **DT-D-87-902**  
 DATE 6/12/01

|                             |             |
|-----------------------------|-------------|
| TOTAL HP                    | SEE MODEL   |
| DRY WT.                     | 13,000 LBS. |
| OPER. WT. SUMP FULL         | 24,400 LBS. |
| OPERATING WT. BOTTOM OUTLET | 16,900 LBS. |
| SUMP CAP                    | 960 GALLONS |

INFORMATION CONTAINED HEREIN IS SUBJECT TO CHANGE WITHOUT NOTICE IN THE INTEREST OF PRODUCT IMPROVEMENT.

| MODEL SERIES | DIM "A" |
|--------------|---------|
| TM2XX3XX     | 68"     |
| TM2XX4XX     | 77 1/2" |