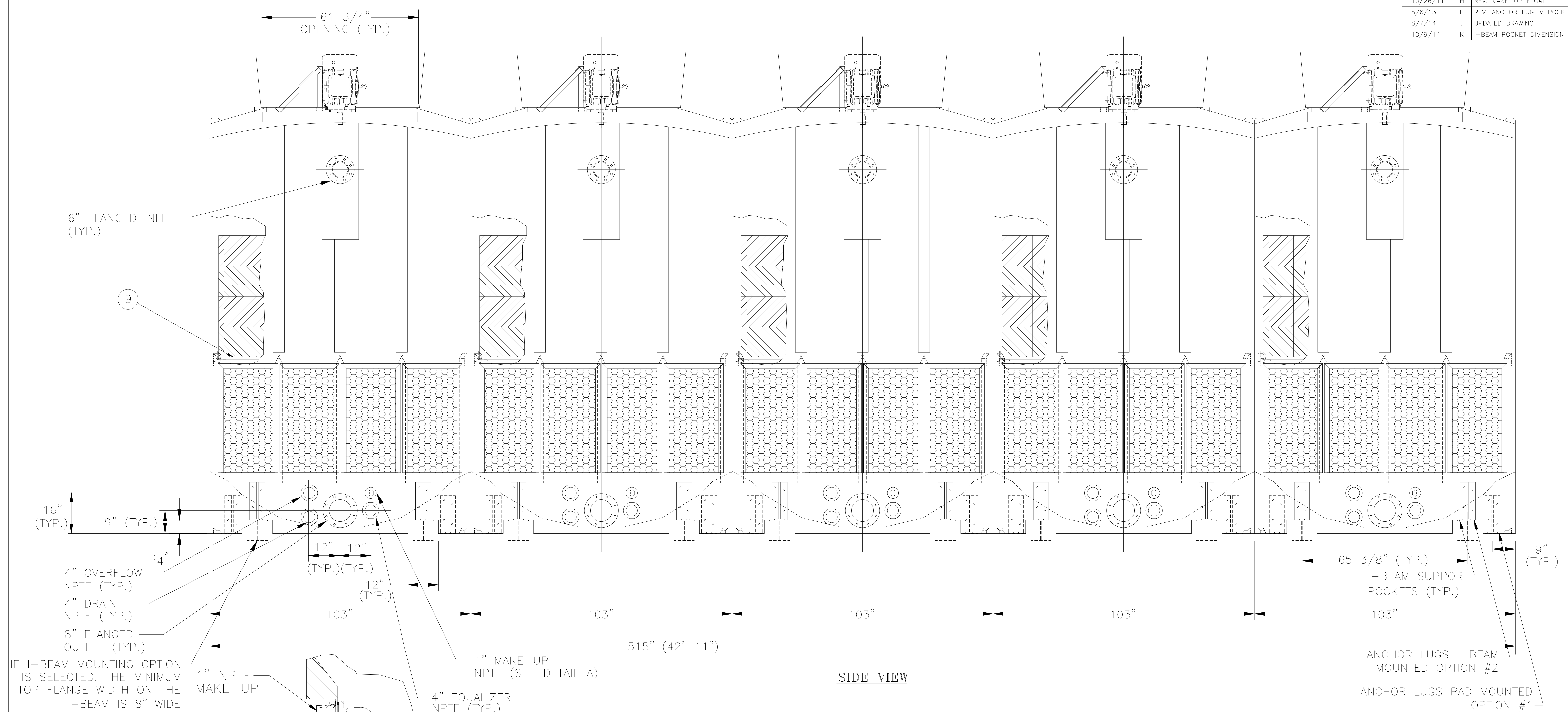
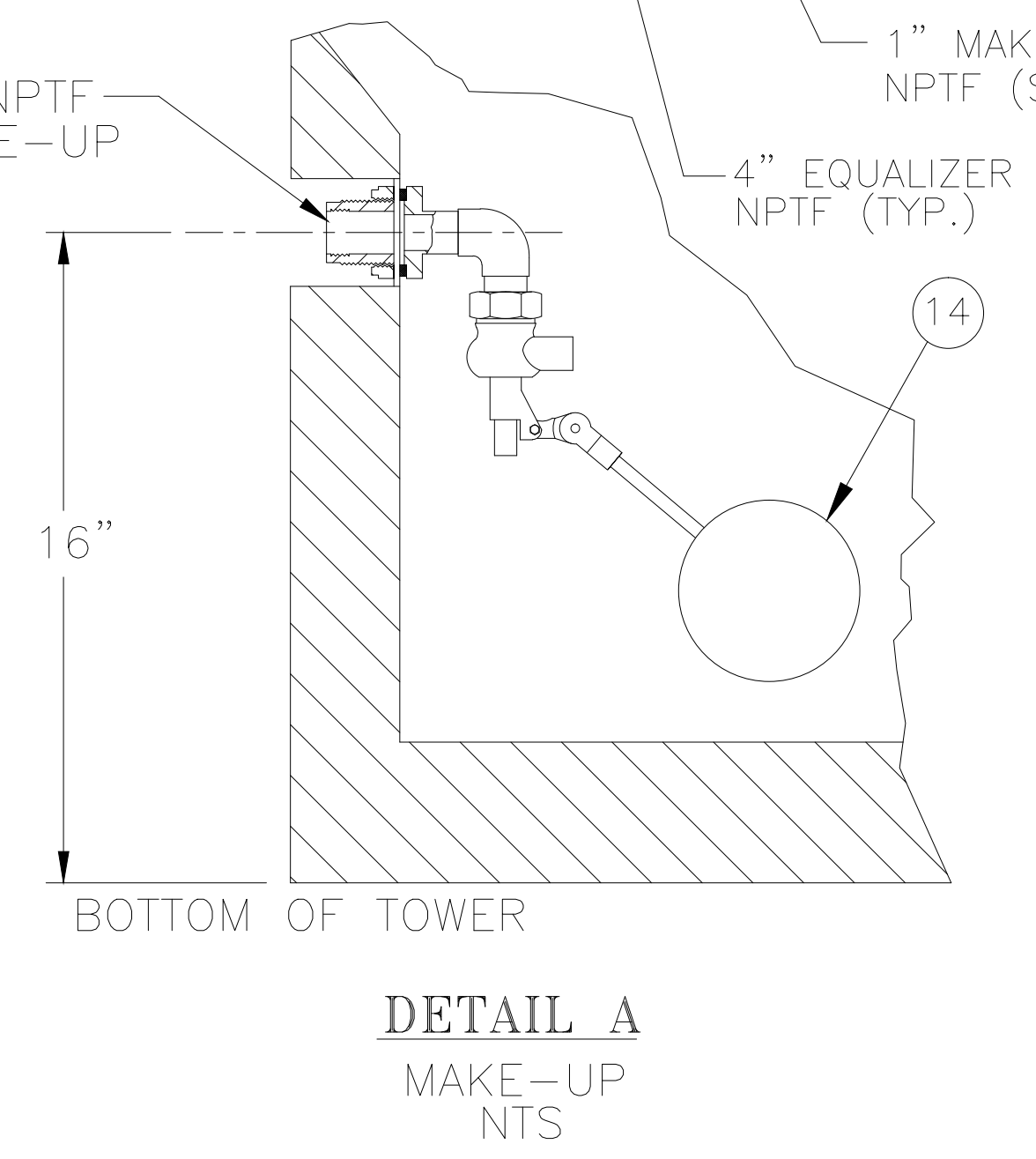


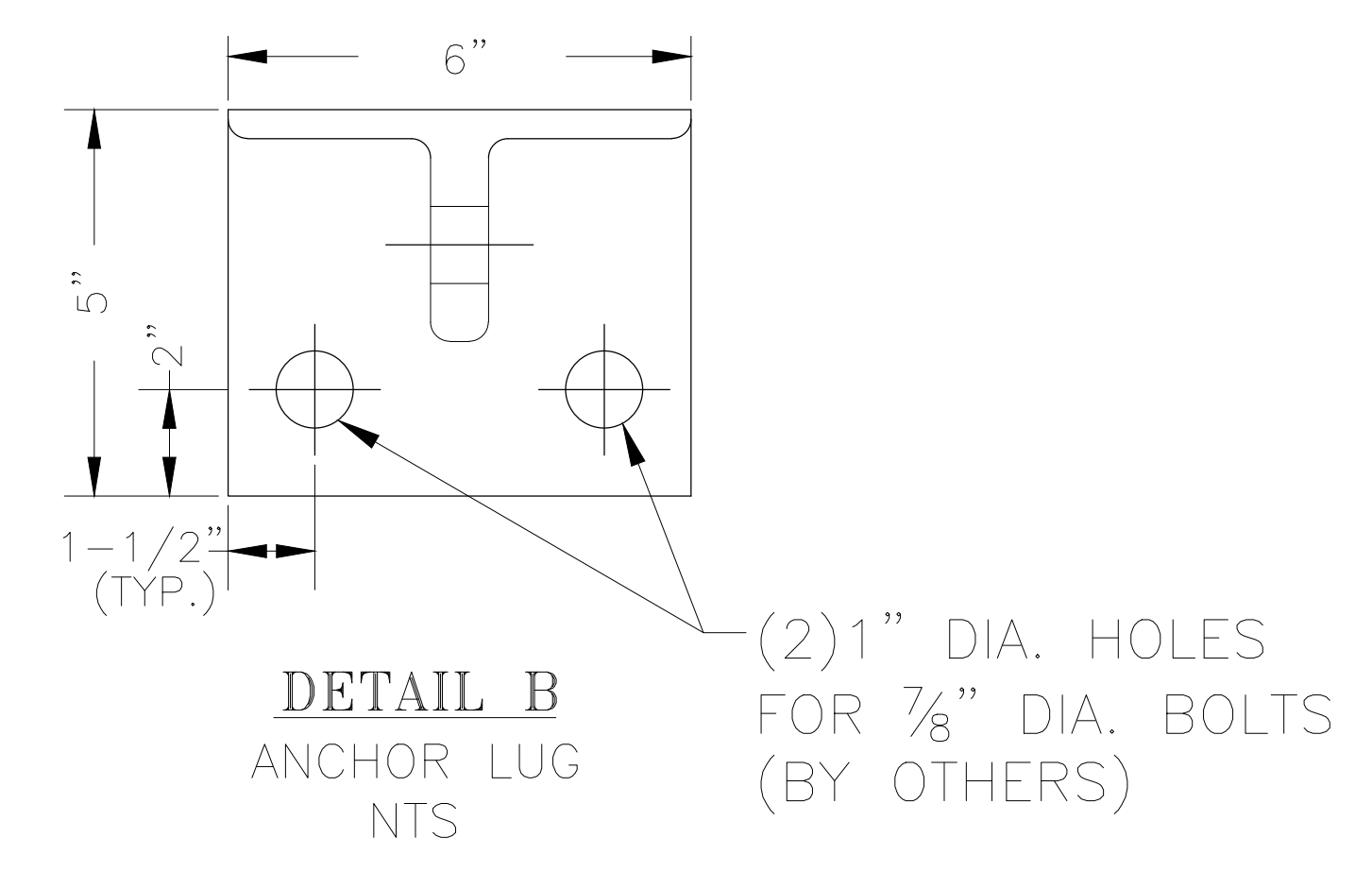
DATE	SYM	REVISION	AUTH	CHK
2/28/02	A	REV. INLET	BLO	JF
4/8/02	B	REV. OUTLET & POCKETS	BLO	JF
1/28/03	C	ADDED DETAIL B	GT	JF
8/30/05	D	REVISED MAKE-UPS, I-BEAM POCKETS	KF	JF
9/19/06	E	MOD. MAKE-UP, ANCHOR BOLTS	KF	JBH
4/14/09	F	REVISED HEIGHT	KF	JBH
5/25/10	G	REV. MAKE-UP, LOUVER MATERIAL	KF	JBH
10/26/11	H	REV. MAKE-UP FLOAT	LM	JBH
5/6/13	I	REV. ANCHOR LUG & POCKETS	FP	JBH
8/7/14	J	UPDATED DRAWING	FP	JBH
10/9/14	K	I-BEAM POCKET DIMENSION	FP	JBH



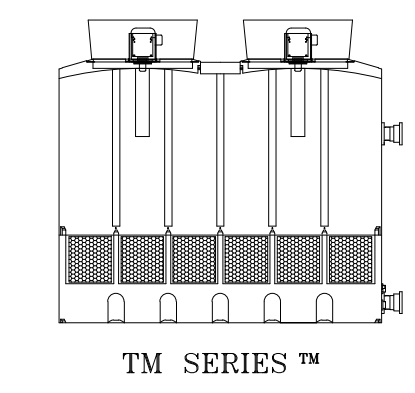
IF I-BEAM MOUNTING OPTION IS SELECTED, THE MINIMUM TOP FLANGE WIDTH ON THE I-BEAM IS 8" WIDE



**SIDE VIEW**



**NOTES:**  
1. SEE DRAWING DT-D-87-906-1 FOR PLAN VIEW & ELEVATION.

		<b>DELTA COOLING TOWERS, INC.</b> 185 US HIGHWAY 206, ROXBURY TWP. NJ, 07836 PH 973.586.2201 FAX 973.586.2243	
		<b>TITLE</b> 5 CELL	
<b>TM SERIES™</b>		DWN BY <i>Bonnie L. Oddo</i> APPVD BY <i>John Flaherty</i>	
SCALE 5/8"=1'-0" DATE 7/18/01		DWG NO. DT-D-87-906-2	