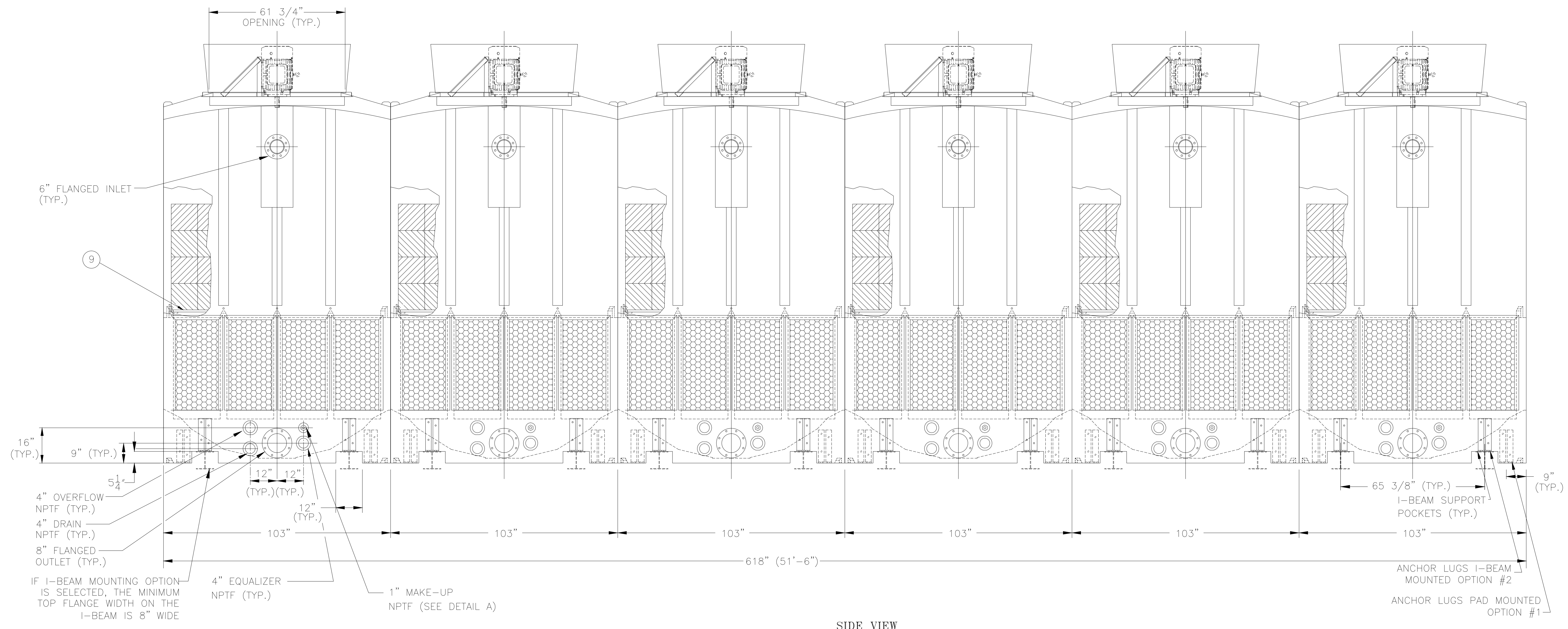
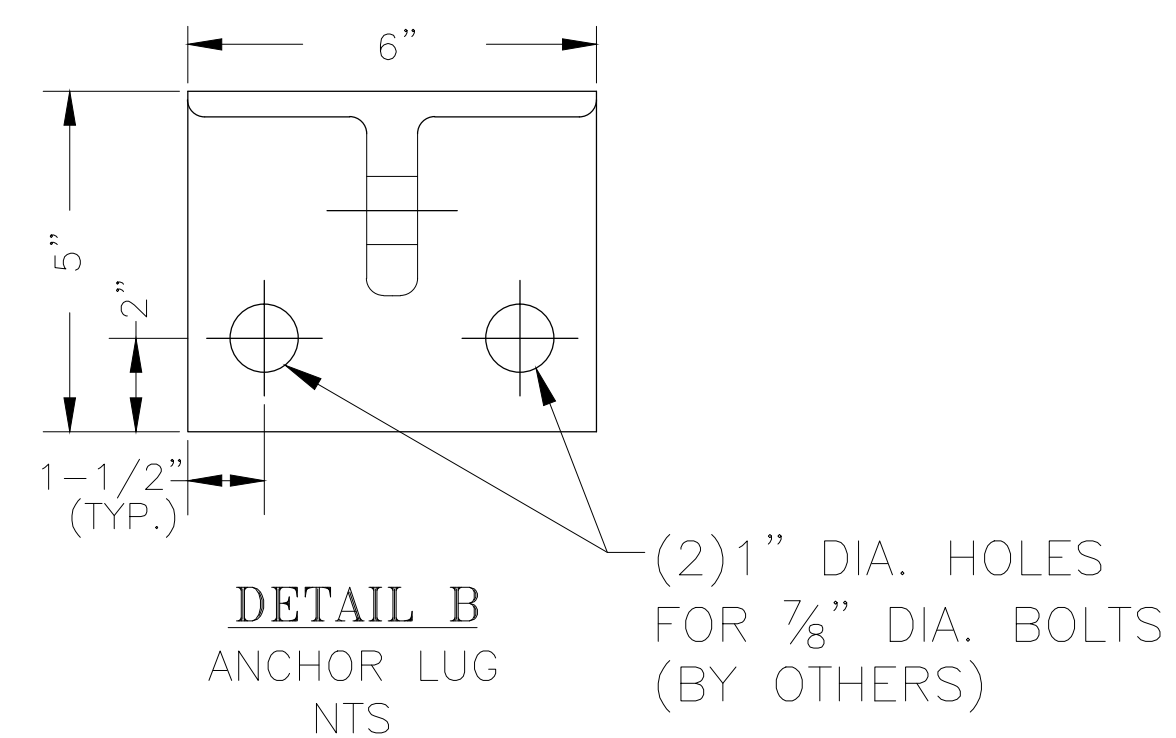
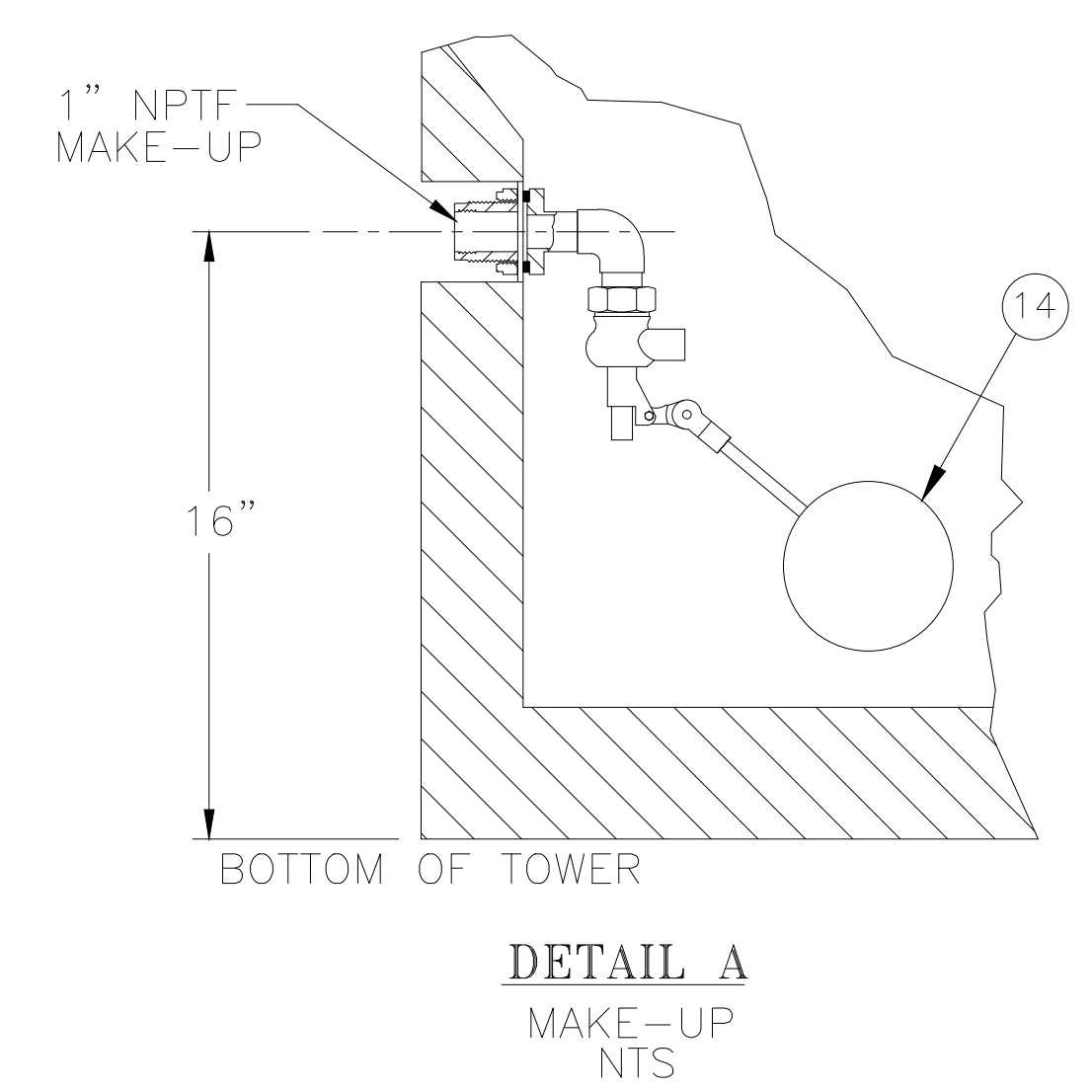


| DATE | SYM | REVISION | AUTH | CHK |
|----------|-----|---------------------------------|------|-----|
| 2/28/02 | A | REV. INLET | BLO | JF |
| 4/8/02 | B | REV. OUTLET & POCKET | BLO | JF |
| 1/28/03 | C | ADDED DETAIL B | GT | JF |
| 8/30/05 | D | REVISE MAKE-UPS, I-BEAM SUPPORT | KF | JF |
| 9/19/06 | E | MOD. MAKE-UP, ANCHOR BOLTS | KF | JBH |
| 4/14/09 | F | REVISED HEIGHT | KF | JBH |
| 5/25/10 | G | REV. MAKE-UP, LOUVER MATERIAL | KF | JBH |
| 10/26/11 | H | REV. MAKE-UP FLOAT | LM | JBH |
| 5/7/13 | I | REV. ANCHOR LUG & POCKETS | FP | JBH |
| 8/7/14 | J | UPDATED DRAWING | FP | JBH |
| 10/9/14 | K | I-BEAM POCKET DIMENSION | FP | JBH |

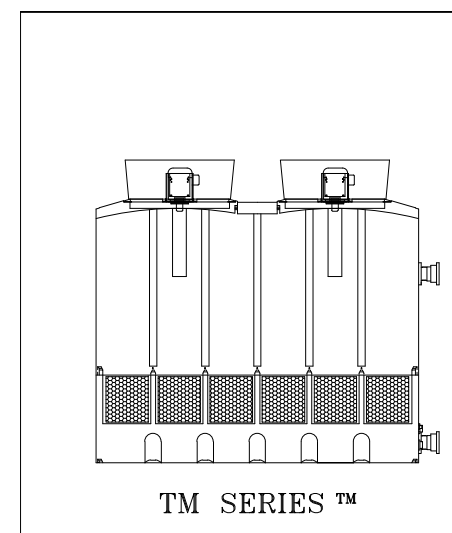


SIDE VIEW



NOTES:

- 1. SEE DRAWING DT-D-87-907-1 FOR PLAN VIEW & ELEVATION.



DELTA COOLING TOWERS, INC.
 185 US HIGHWAY 206, ROXBURY TWP. NJ, 07836
 PH 973.586.2201 FAX 973.586.2243

TITLE **6 CELL**

TM SERIES™ DWN BY *Bonnie L. Oddo*
 APPVD BY *John Flaherty*

SCALE NTS DWG NO. **DT-D-87-907-2**

DATE 7/18/01