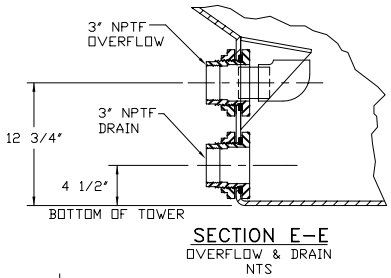
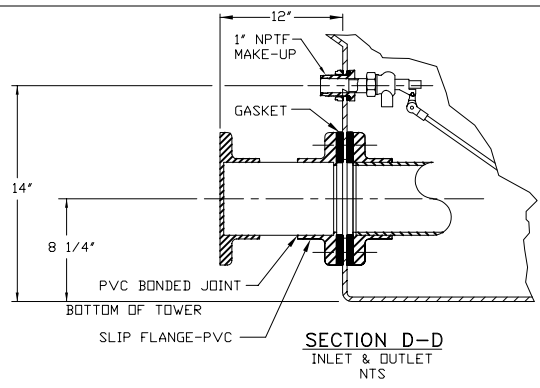
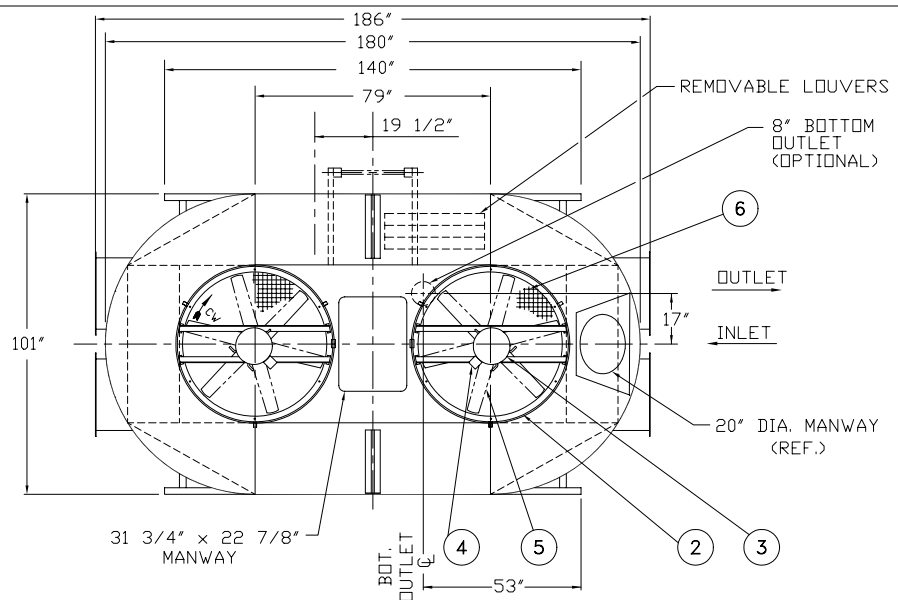
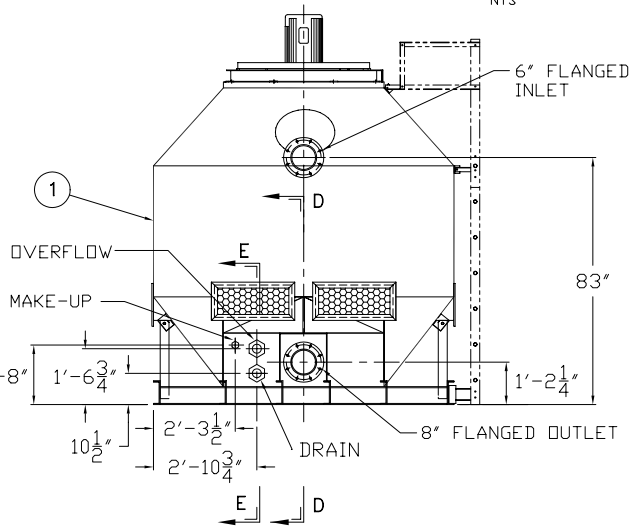
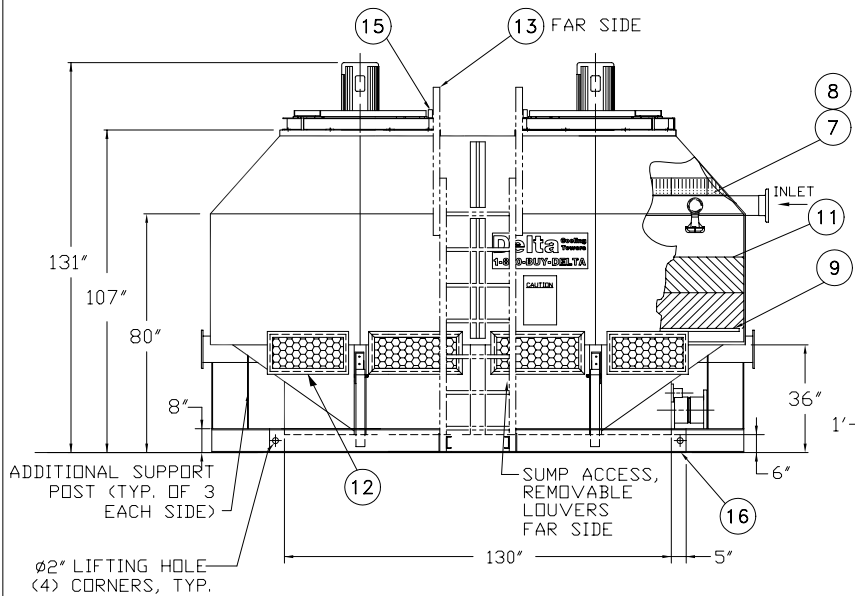


DATE	SYM	REVISION	AUTH	CHK
8/23/06	-	INITIAL ISSUE	KF	JBH



- NOTES:**
- DIMENSIONS SHOWN ARE NOMINAL AND ARE SUBJECT TO FABRICATION TOLERANCES.
 - MOUNTING BASE TO BE INSTALLED ON A RIGID STRUCTURE, PROPERLY SUPPORTED. SEE DWG. # DT-D-86-911.
 - EXTERNAL PIPING MUST BE INDEPENDENTLY SUPPORTED.
 - PIPING AND BULKHEAD FITTING MATERIAL IS PVC.
 - HARDWARE MATERIAL IS TYPE 304 STAINLESS STEEL.
 - FAN ASSEMBLY SHIPPED INSTALLED ON TOWER.
 - FOR BOTTOM OUTLET MAXIMUM OPENING IN SUPPORT TO BE 19" x 19".
 - MAXIMUM INLET WATER TEMPERATURE 140°F. (CONSULT FACTORY FOR HIGHER TEMP. APPLICATIONS.)
 - SEE DWG. NO DT-D-86-913 FOR MULTICELL LAYOUT.
 - ALL DIMENSIONS ARE IN INCHES.
 - ALL WEIGHTS ARE IN POUNDS. DRY WT. INCLUDES; FAN ASSEMBLY AND TOWER COMPLETE AND MOUNTING PLATFORM. DESIGN WT. INCLUDES A FULL SUMP.



ITEM	QTY	PART NO.	DESCRIPTION	MATERIAL	REMARKS
16	1		MOUNTING BASE	PREM. COATED STL.	
15	2		VIBRATION SWITCH	STEEL	OPTIONAL
14	1		FLD AT VALVE	BRONZE	
13	1		LADDER ASSEMBLY	ALUMINUM	OPTIONAL
12	12		LOUVER PANEL	POLYETHYLENE	
11	1 SET		FILL	PVC	
10	1		STRAINER	PLASTIC	OPTIONAL
9	1		FILL SUPPORT	FRP	
8	1 SET		MIST ELIMINATOR	POLYETHYLENE	
7	1		WATER DISTRIBUTION	PVC	
6	2		FAN GUARD	COATED STEEL	SPLIT
5	2		PROPELLER	FRP/POLYPROP	
4	2		ELECTRICAL CONN.	ALUMINUM	
3	2		MOTOR	ALUM./STEEL	TEAD, 1200 RPM
2	2		FAN RING	COATED STEEL	
1	1		TOWER SHELL	POLYETHYLENE	

BILL OF MATERIALS

DELTA COOLING TOWERS, INC.
 41 PINE STREET, ROCKAWAY, NJ 07866
 PH 973.586.2201 FAX 973.586.2243

TITLE ΔTR205812 THRU ΔTR210812
PREMIER COOLING TOWER

DWN BY *Ronnie L. Odde*
APPVD BY *W.A. Patterson*

SCALE NTS **DWG NO.** DT-D-86-930
DATE 8/23/06

TOWER	ΔTR205812	ΔTR275812	ΔTR210812
HP	(2) X 5	(2) X 7.5	(2) X 10
DRY WT.	3,900	4,000	4,100
OPER. WT.	8,100	8,200	8,300
FAN WT.	385	435	485
SUMP CAP	450 GAL.	450 GAL.	450 GAL.

INFORMATION CONTAINED HEREIN IS SUBJECT TO CHANGE WITHOUT NOTICE IN THE INTEREST OF PRODUCT IMPROVEMENT.

