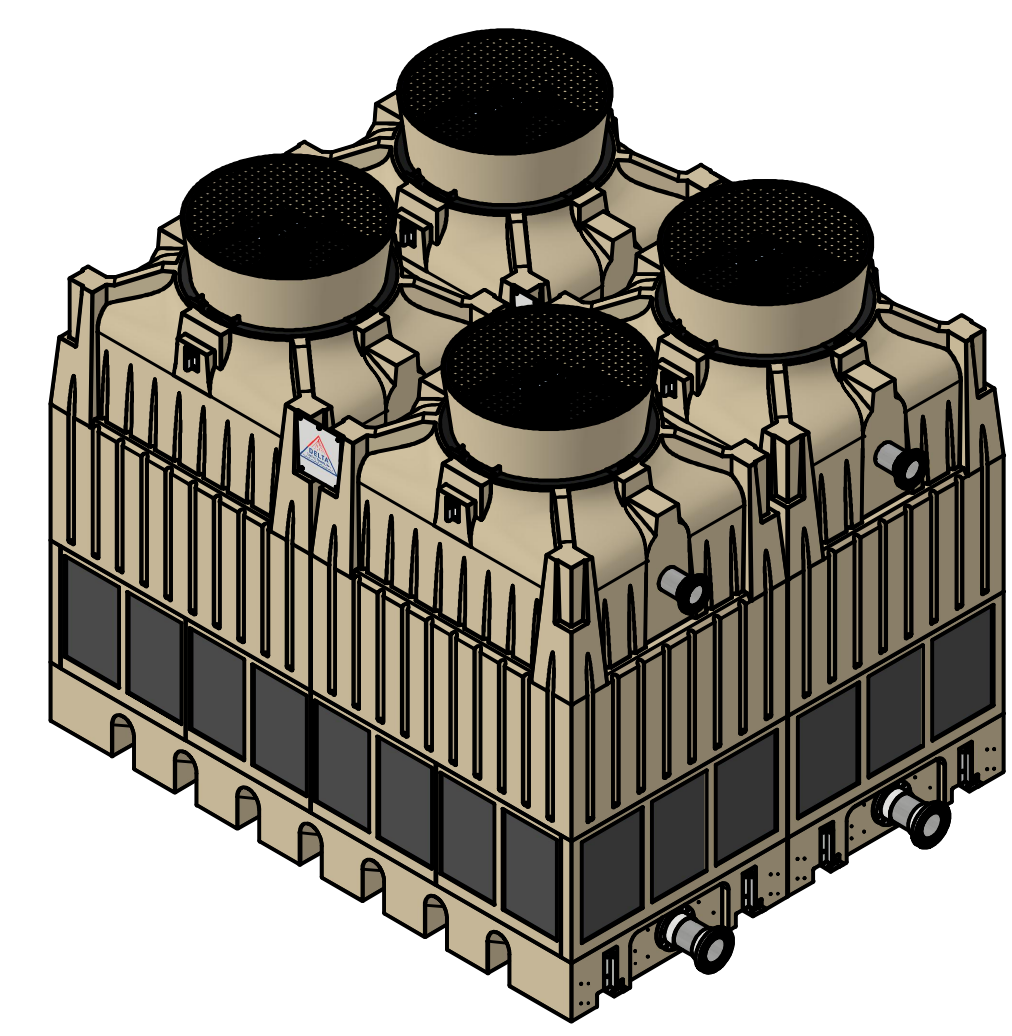
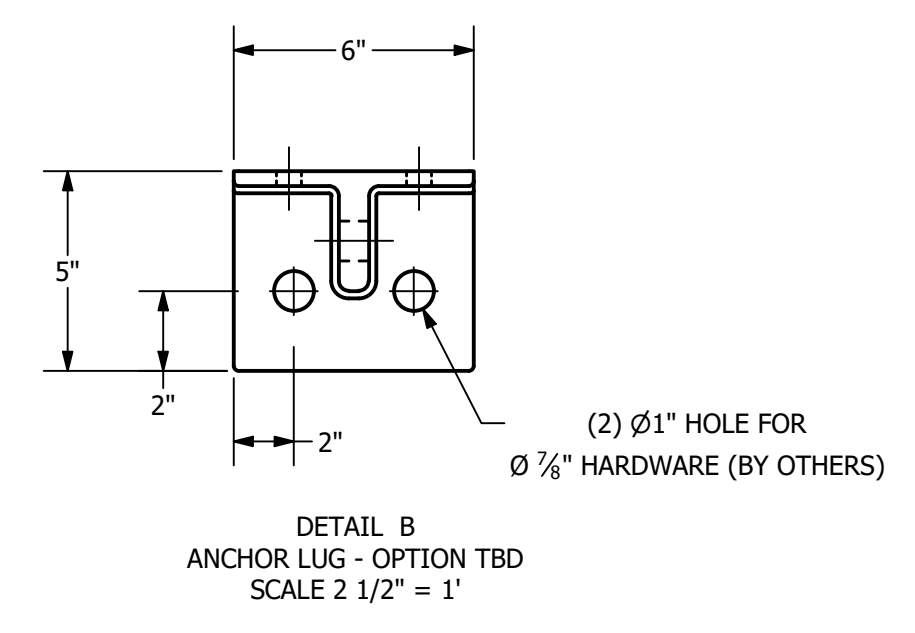
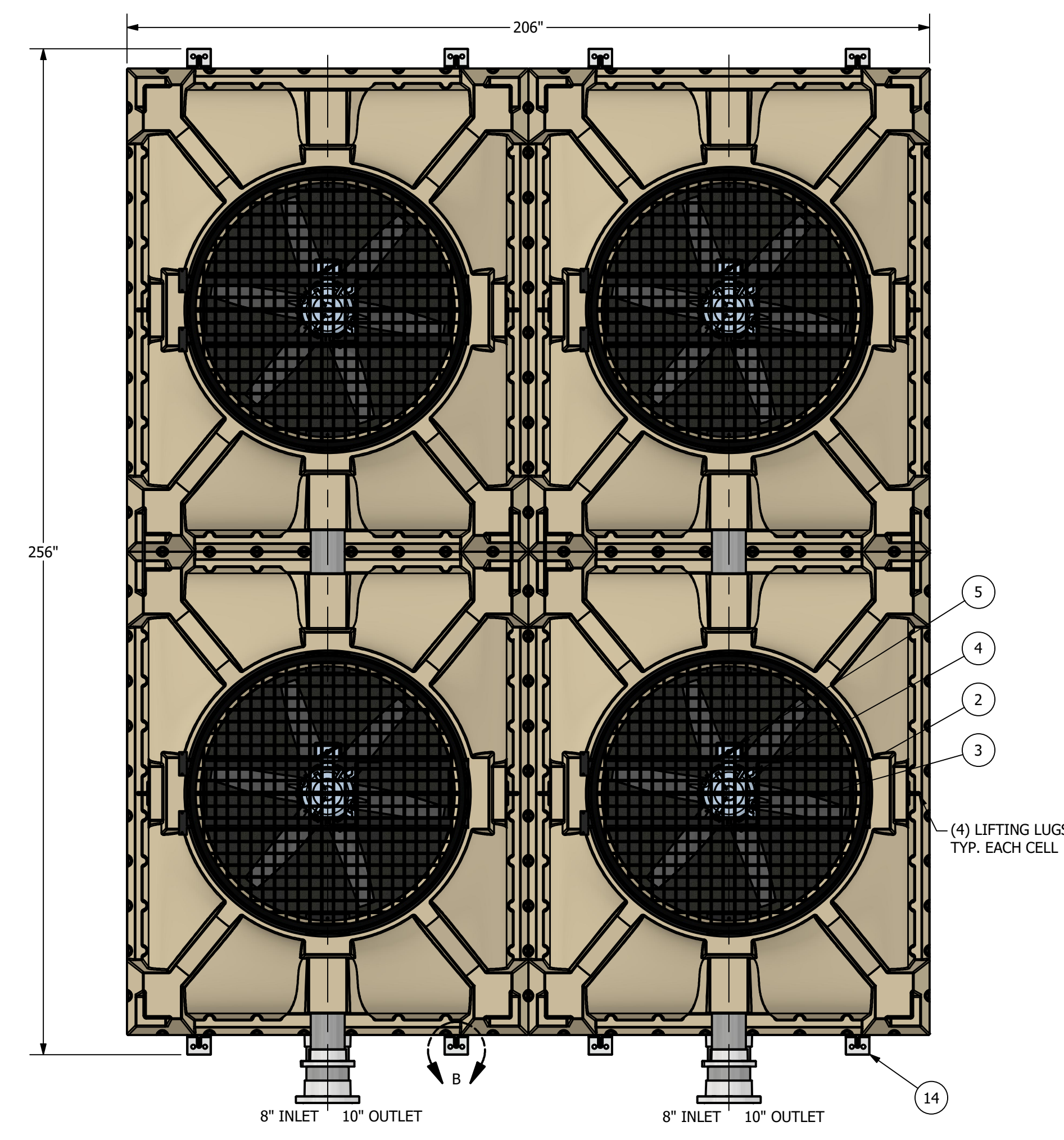
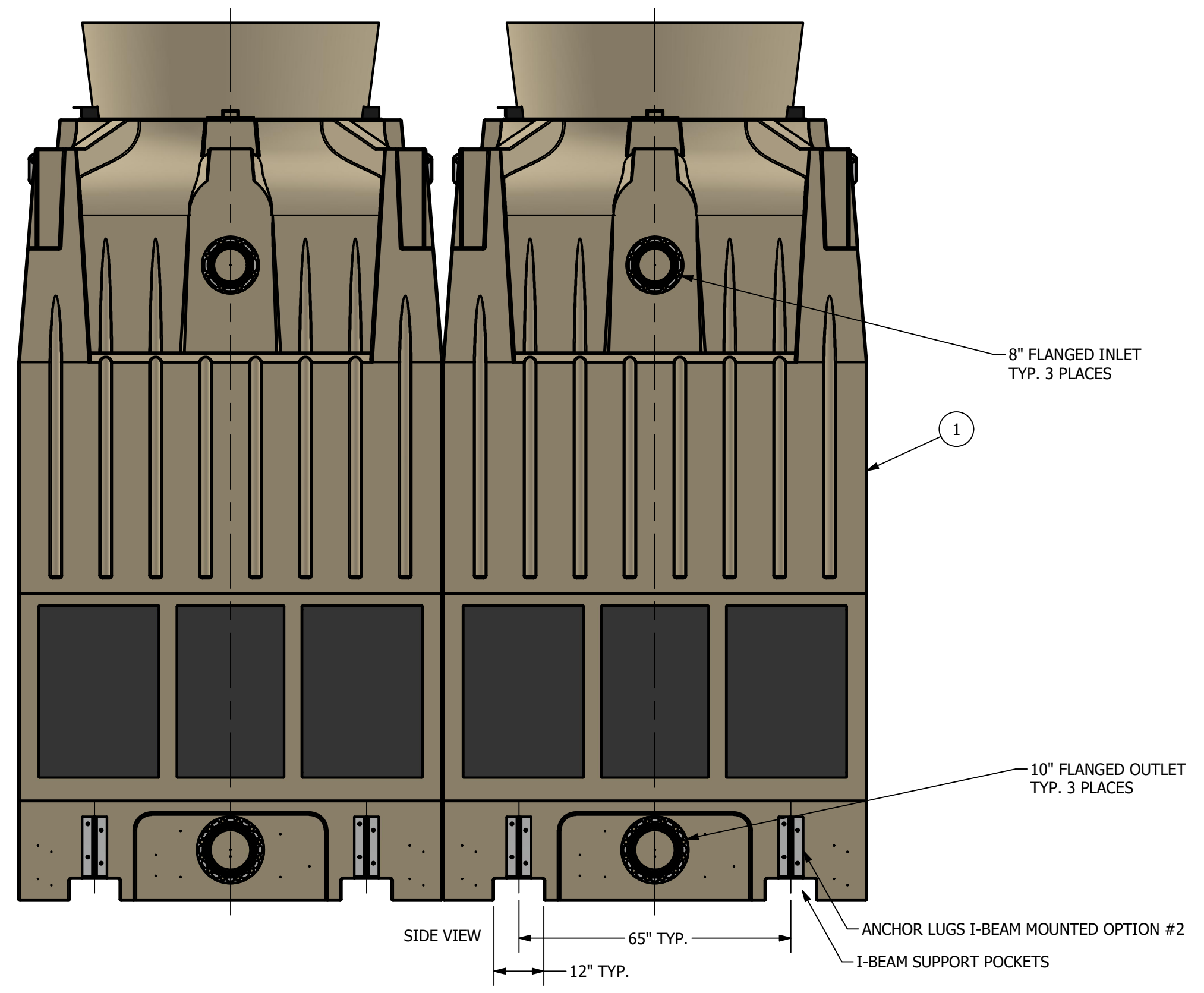


| DATE      | REV | DESCRIPTION     | AUTH | CHK |
|-----------|-----|-----------------|------|-----|
| 4/24/2024 | -   | INITIAL DRAWING | FP   | FP  |



- NOTES:**
- DIMENSIONS SHOWN ARE NOMINAL AND ARE SUBJECT TO FABRICATION TOLERANCES.
  - EXTERNAL PIPING MUST BE INDEPENDENTLY SUPPORTED.
  - PIPING AND BULKHEAD FITTING MATERIAL IS PVC UNLESS OTHERWISE NOTED.
  - HARDWARE MATERIAL IS TYPE 304 STAINLESS STEEL.
  - MAXIMUM INLET WATER TEMPERATURE IS 140°F. (CONSULT FACTORY FOR HIGHER TEMPERATURE APPLICATIONS).
  - ALL DIMENSIONS ARE IN INCHES.
  - ALL WEIGHTS ARE IN POUNDS. DRY WEIGHT INCLUDES; FAN ASSEMBLY AND TOWER COMPLETE / OPERATING WEIGHT INCLUDES A FULL SUMP.
  - TOWER MOUNTING OPTION #1 - CONCRETE PAD - ENTIRE TOWER BASIN BOTTOM SURFACE TO BE FULLY SUPPORTED BY AN APPROPRIATELY SIZED CONCRETE PAD.
  - TOWER MOUNTING OPTION #2 - BEAM SUPPORTED VIA I-BEAM POCKETS - \* SUPPORT BEAMS AND ANCHOR BOLTS ARE TO BE FURNISHED BY OTHERS. \* BEAMS SHOULD HAVE A MINIMUM TOP FLANGE WIDTH OF 8" 9 8"X31# RECOMMENDED) AND BE IN ACCORDANCE WITH ACCEPTABLE STRUCTURAL DESIGN PRATICES. THESE BEAMS SHOULD BE LOCATED IN THE INTEGRALLY MOLDED I-BEAM POCKETS AND SHOULD OVER-FUN THE LENGTH OF THE TOWER. \*DO NOT WELD OR BOLT DOWN BEAMS PRIOR TO SETTING THE COOLING TOWER SUMP(S).
  - FINAL YARD PIPING TO AND FROM THE TOWER SHOULD BE FABRICATED FOLLOWING INSTALLATION OF THE TOWERS ONSITE. DUE TO MANUFACTURING AND INSTALLATION TOLERANCES, PREFABRICATION OF EXTERNAL PIPING IS NOT RECOMMENDED.
  - SEE DRAWING DCT-TMX\_2C-SSD-001-2 FOR ELEVATION VIEW.



| ITEM | QTY | DESCRIPTION               | MATERIAL      | REMARKS       |
|------|-----|---------------------------|---------------|---------------|
| 15   | 2   | FLOAT VALVE               | POLYPROPYLENE | NOT SHOWN     |
| 14   | 8   | ANCHOR LUGS               | ALUMINUM      | LOCATION TBD  |
| 13   | 2   | VORTEX BREAKER            | PVC           | NOT SHOWN     |
| 12   | 2   | OUTLET STRAINER           | PVC COATED    | NOT SHOWN     |
| 11   | 28  | LOUVER PANEL              | PVC           |               |
| 10   | 4   | FILL MEDIA                | PVC           | NOT SHOWN     |
| 9    | 4   | FILL SUPPORT              | FRP           | NOT SHOWN     |
| 8    | 4   | MIST ELIMINATOR           | PVC           | NOT SHOWN     |
| 7    | 2   | WATER DISTRIBUTION SYSTEM | PVC           |               |
| 6    | 4   | VELOCITY RECOVERY STACK   | POLYETHYLENE  | WITH SCREEN   |
| 5    | 4   | PROPELLER                 | FRP/POLYPRO.  |               |
| 4    | 4   | ELECTRICAL CONNECTION     | ALUMINUM      |               |
| 3    | 4   | MOTOR                     | ALUM. / STEEL | TEAO, 900 RPM |
| 2    | 4   | FAN RING                  | COATED STEEL  |               |
| 1    | 2   | TOWER SHELL               | POLYETHYLENE  |               |

| DESIGN CONDITIONS | UNIT    |
|-------------------|---------|
| FLOW RATE         | TBD GPM |
| INLET TEMP        | TBD °F  |
| OUTLET TEMP       | TBD °F  |
| WET BULB          | TBD °F  |
| ELECTRICAL        | TBD     |

**DELTA COOLING TOWERS INC.**  
 185 US HIGHWAY 206 ROXBURY TOWNSHIP, NJ 07836  
 PH: 973-586-2201 FAX: 973-586-2243

**2 CELL TMX SALES ASSEMBLY**

TMX SERIES  
 JOB # TBD

INFORMATION CONTAINED HEREIN IS SUBJECT TO CHANGE WITHOUT NOTICE IN THE INTEREST OF PRODUCT IMPROVEMENT.

SCALE 7/16" = 1"  
 DATE 5/7/2024

DCT-TMX\_2C-SSD-001-1

| OPER. WT. (FULL SUMP) | SEE MODEL  |
|-----------------------|------------|
| 20,520 LBS            | 15,840 LBS |
| 20,520 LBS            | 29,520 LBS |
| 1,152 GALLONS         |            |