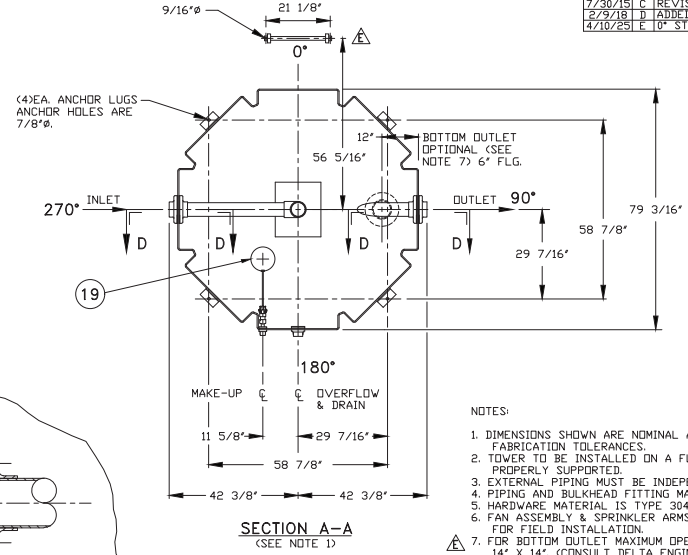
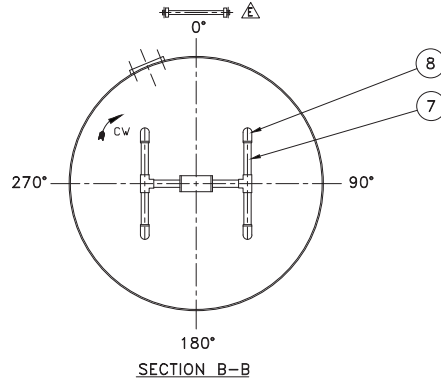
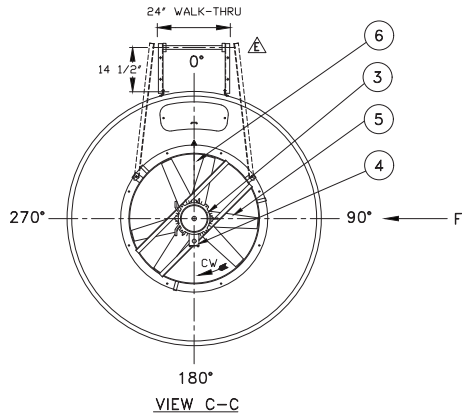


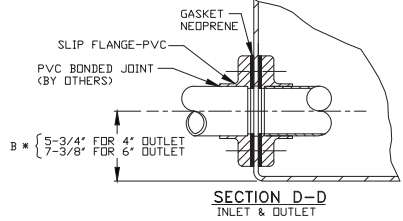
DATE	SYN	REVISION	AUTH/CHK
2/11/08		INITIAL ISSUE	KF/UBH
6/2/10	A	REVISED MAKE-UP STYLE	KF/UBH
6/10/10	B	REVISED MAKE-UP MATERIAL	KF/UBH
7/30/15	C	REVISED MAKE-UP ASSEMBLY	MD/UBH
2/9/18	D	ADDED OUTLET SIZING NOTE	SS/FP
4/10/25	E	10" STANDARD LADDER ORIENTATION	RR/FP



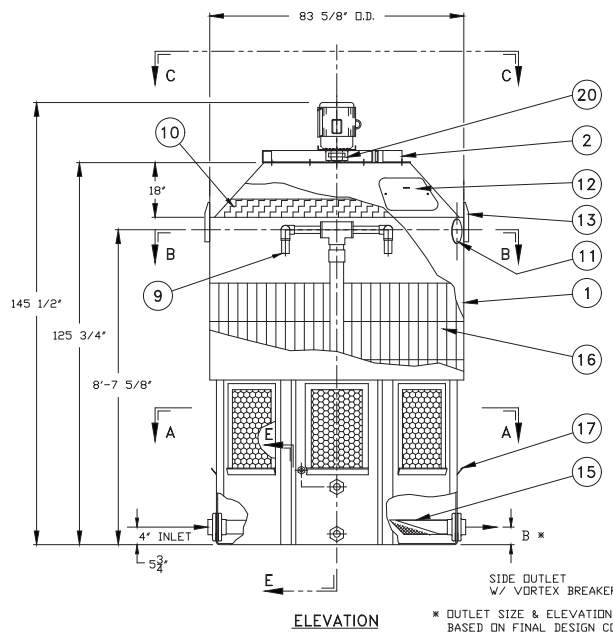
DESIGN CONDITIONS

FLOW RATE	TBD GPM
INLET TEMP.	TBD F°
OUTLET TEMP.	TBD F°
WET BULB	TBD F°
ELECTRICAL	TBD V

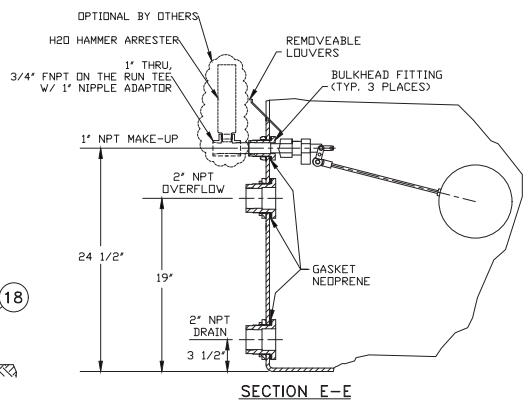
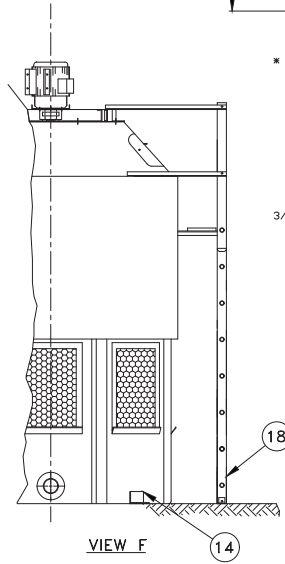
- NOTES:
- DIMENSIONS SHOWN ARE NOMINAL AND ARE SUBJECT TO FABRICATION TOLERANCES.
 - TOWER TO BE INSTALLED ON A FLAT AND RIGID SURFACE, PROPERLY SUPPORTED.
 - EXTERNAL PIPING MUST BE INDEPENDENTLY SUPPORTED.
 - PIPING AND BULKHEAD FITTING MATERIAL IS PVC.
 - HARDWARE MATERIAL IS TYPE 304 STAINLESS STEEL.
 - FAN ASSEMBLY & SPRINKLER ARMS SHIPPED SEPARATELY FOR FIELD INSTALLATION.
 - FOR BOTTOM OUTLET MAXIMUM OPENING IN SUPPORT TO BE 14" X 14". (CONSULT DELTA ENGINEERING FOR LARGER OPENINGS.)
 - MAXIMUM INLET WATER TEMPERATURE 140°F. (CONSULT FACTORY FOR HIGHER TEMP. APPLICATIONS.)
 - ALL DIMENSIONS ARE IN INCHES.
 - ALL WEIGHTS ARE IN POUNDS. DRY WT. INCLUDES FAN ASSEMBLY, SINGLE SPEED MOTOR & TOWER COMPLETE. MAX. FAN WT. INCLUDES FAN ASSEMBLY AND TWO SPEED MOTOR.
 - RISE PIPE HAS 1/4" WEEP HOLE IN SUMP.
 - SEE DWG. NO. DT-D-80-755 FOR MULTICELL LAYOUT.
 - OPTIONAL H2O HAMMER ARRESTER MAY RELIEVE POTENTIAL WATER HAMMER DUE TO HIGH SUPPLY PRESSURE.



* OUTLET SIZE & ELEVATION TO BE VERIFIED BASED ON FINAL DESIGN CONDITIONS



* OUTLET SIZE & ELEVATION TO BE VERIFIED BASED ON FINAL DESIGN CONDITIONS



ITEM	QTY	PART NO.	DESCRIPTION	MATERIAL	REMARKS
20	1		VIBRATION SWITCH	STEEL	OPTIONAL
19	1		FLD/AT VALVE	POLYPROPYLENE	
18	1		LADDER ASSEMBLY	ALUMINUM	OPTIONAL
17	1	SET	LOUVER	PVC	
16	2	1/2	FILL	PVC	
15	1		STRAINER	PLASTIC	OPTIONAL
14	4		ANCHOR LUG	ALUMINUM	
13	2		LIFTING LUG	ALUMINUM	
12	1		MANHOLE COVER	POLYETHYLENE	
11	1		CLEAN-OUT PORT	POLYETHYLENE	
10	1		MIST ELIMINATOR	POLYETHYLENE	
9	4		NOZZLES	PVC	
8	4		90° ELBOWS	PVC	
7	1		PIPING ASSEMBLY	PVC	
6	1		FAN GUARD	COATED STEEL	
5	1		PROPELLER	POLYPROP/FRP	
4	1		ELECTRICAL BOX	ALUMINUM	
3	1		MOTOR	ALUM/STL	
2	1		FAN RING	COATED STEEL	
1	1		TOWER SHELL	POLYETHYLENE	

DELTA COOLING TOWERS, INC.
 185 US HIGHWAY 206 ROXBURY TOWNSHIP NJ 07836
 PH 973.586.2201 FAX 973.586.2243

TITLE: **ΔT 1001 AND ΔT 1251 w/ FIXED SPRAY HEADER**
 PARAGON SERIES DWN BY Kevin Rhyndrick
 SCALE 5/8"=1'-0" DWG NO. DT-D-81-901
 DATE 2/11/08

TOWER	ΔT 1001	ΔT 1251
HP	5	7 1/2
DRY WT.	1330	1410
OPER. WT.	4185	4260
DESIGN WT.	6000	6075
MAX. FAN WT.	273	292

INFORMATION CONTAINED HEREIN IS SUBJECT TO CHANGE WITHOUT NOTICE IN THE INTEREST OF PRODUCT IMPROVEMENT.

OUTLET SIZE TO BE VERIFIED BASED ON FINAL DESIGN CONDITIONS.

NOT TO BE USED FOR FABRICATION