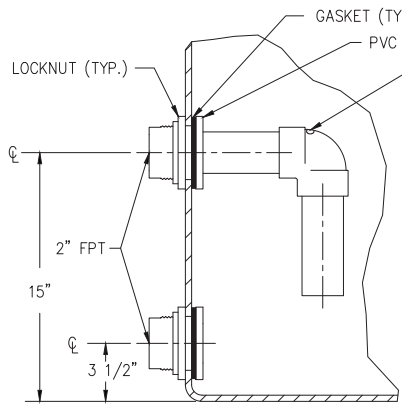
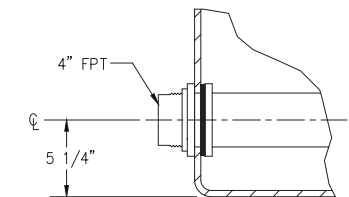


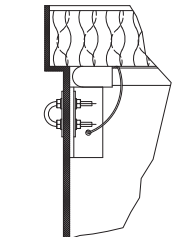
DATE	SYM	REVISION	AUTH	CHK
11/2/98	A	REDRAWN IN CAD	BLO	W.P.
8/26/99	B	REV. INSPECT. PORT & MU	BLO	J.F.
12/12/00	C	ADDED NOTE 7	BLO	J.F.
2/7/01	D	MOVED OUTLET UP TO 5" FROM 4 5/8"	BLO	J.F.
3/13/02	E	REV. MAKE-UP SHAPE	BLO	G.D.
5/21/03	F	REV. BOT. OUTLET LOC.	JBH	J.F.
9/20/06	G	ADD MAKE-UP BAFFLE	KF	JBH
11/14/08	H	ADDED BLOWER HOOD	KF	JBH
5/24/10	I	REV. MAKE-UP ASSEM.	KF	JBH
6/3/10	J	REV. MAKE-UP, ADD LUG	KF	JBH
8/5/15	K	BLOWER HOOD STANDARD	MO	JBH



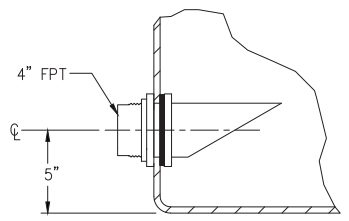
**VIEW: 315°**  
OVERFLOW & DRAIN CONN.  
NTS



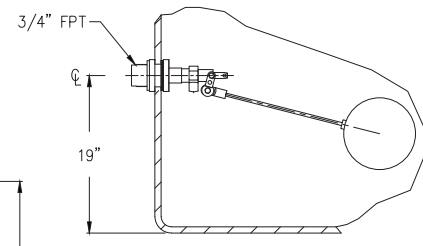
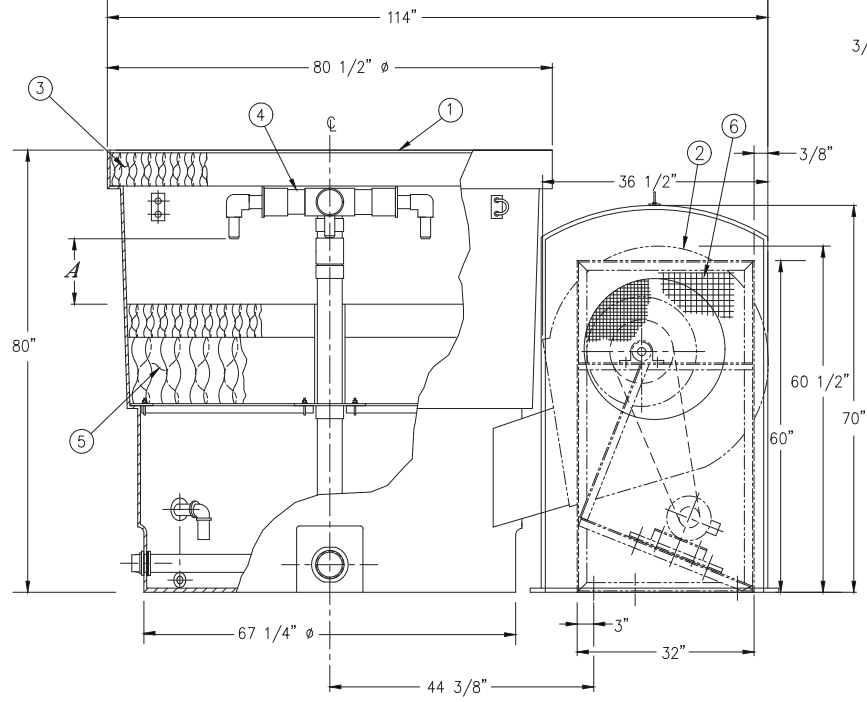
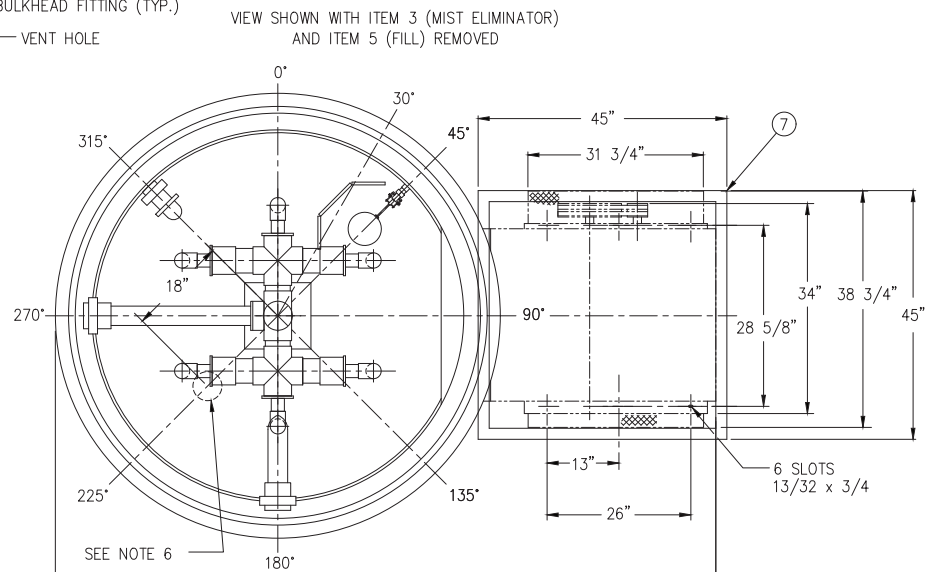
**VIEW: 270°**  
INLET CONN.  
NTS



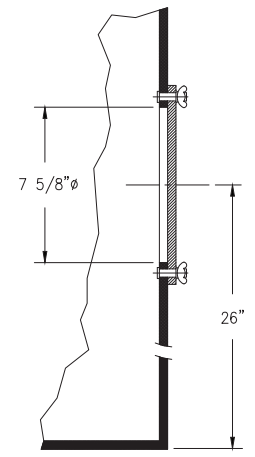
**VIEW: 225°**  
HOLD DOWN BRACKET  
(4) @ 90°  
NTS



**VIEW: 180°**  
OUTLET/VORTEX BRK. CONN.  
NTS



**VIEW: 45°**  
MAKE-UP VALVE CONNECTION  
NTS



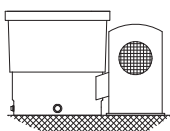
**VIEW: 30°**  
INSPECTION PORTHOLE  
NTS

INFORMATION CONTAINED HEREIN IS SUBJECT TO CHANGE WITHOUT NOTICE IN THE INTEREST OF PRODUCT IMPROVEMENT.

TOWER	ΔT-50	ΔT-75	ΔT-100
MOTOR HP	5 HP	7 1/2 HP	10 HP
DRY WT.	910 LBS	970 LBS	1,030 LBS
OPER. WT.	2,610 LBS	2,675 LBS	2,730 LBS
SUMP CAP.	157 GAL	157 GAL	157 GAL
A	21 1/4"	15 1/4"	9 1/4"

ITEM	QTY	PART NO.	DESCRIPTION	MATERIAL	REMARKS
7	1		BLOWER HOOD	POLYETHYLENE	
6	1		FAN GUARD	PVC COATED STEEL	
5	1		FILL	PVC	
4	1		SPRAY TREE ASSEMBLY	PVC	
3	1		MIST ELIMINATOR	PVC	
2	1		BLOWER ASSEMBLY	COATED STEEL	
1	1		TOWER SHELL	POLYETHYLENE	

**BILL OF MATERIALS**



**DELTA COOLING TOWERS, INC.**  
185 US HIGHWAY 206 ROXBURY TOWNSHIP NJ 07836  
PH 973.586.2201 FAX 973.586.2243

**TITLE ΔT 50-100 ASSEMBLY**

PIONEER SERIES DWN BY *Bonnie L. Oddo*  
JOB # APPVD BY *W.A. Patterson*

SCALE 3/4" = 1'-0" DWG NO. REV. K  
DATE 11/2/98 DT-C-78-300