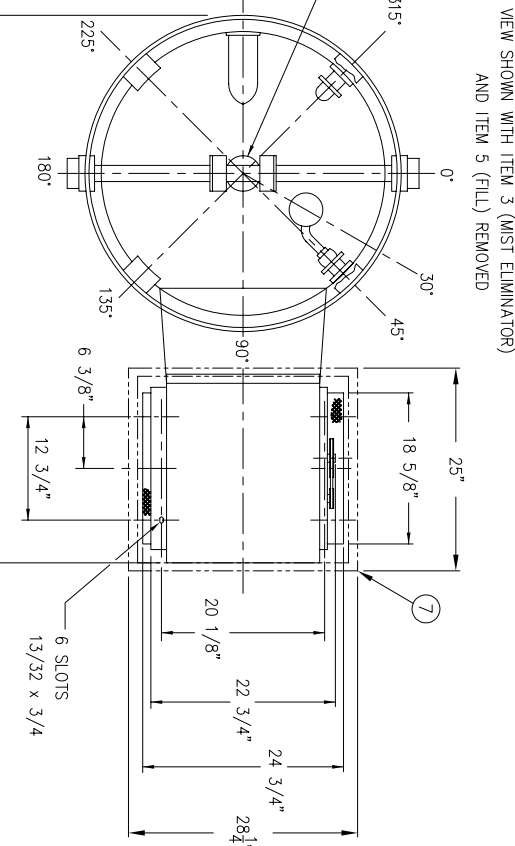
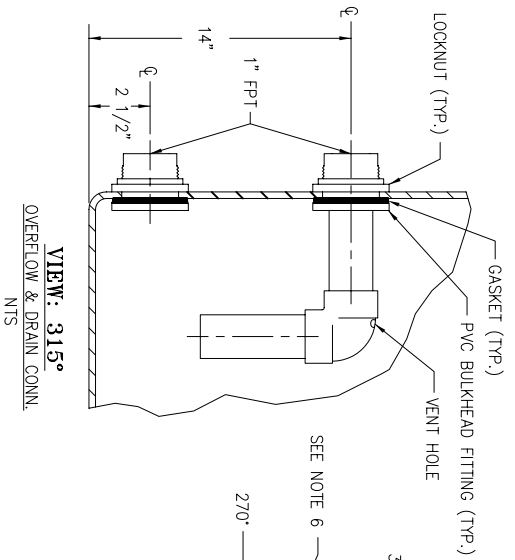


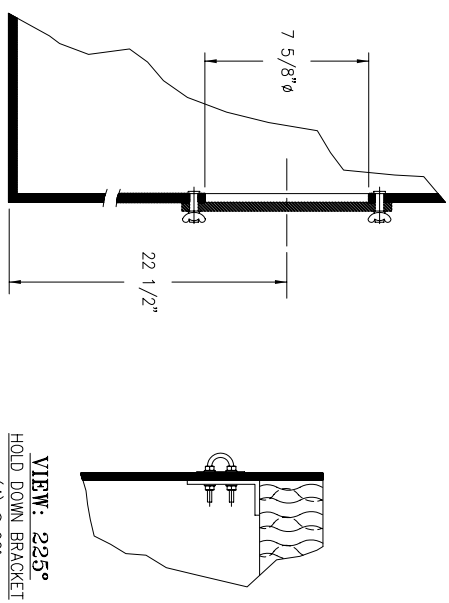
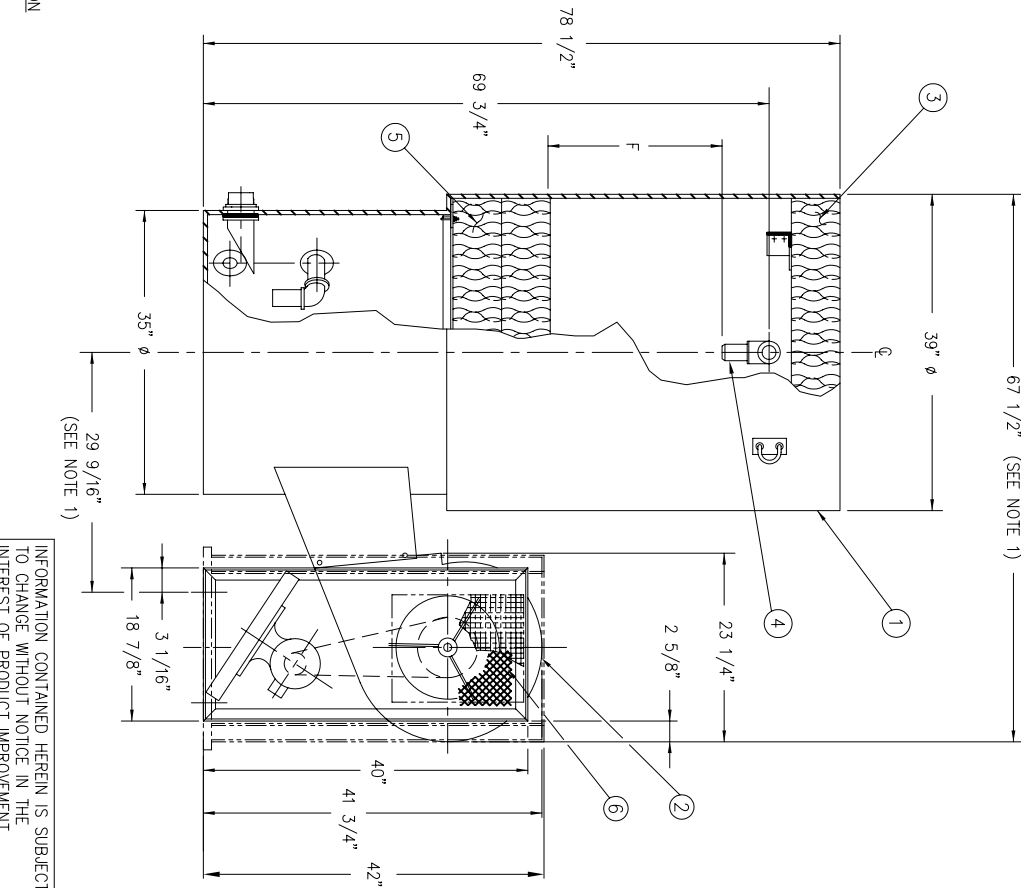
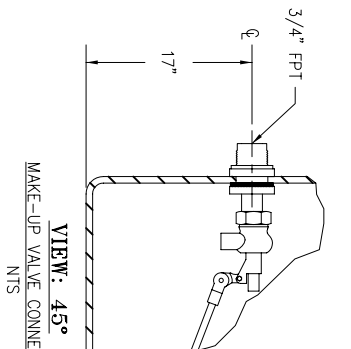
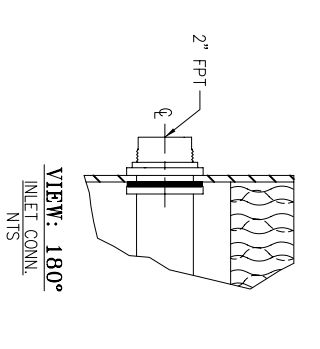
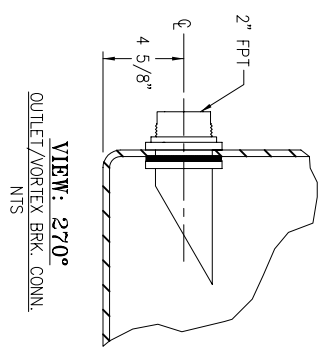
VIEW SHOWN WITH ITEM 3 (MIST ELIMINATOR) AND ITEM 5 (FILL) REMOVED



**NOTES:**

- DIMENSIONS SHOWN ARE NOMINAL AND ARE SUBJECT TO FABRICATION TOLERANCES.
- TOWER TO BE INSTALLED ON A FLAT AND RIGID SURFACE, PROPERLY SUPPORTED.
- EXTERNAL PIPING MUST BE INDEPENDENTLY SUPPORTED.
- PIPING & BULKHEAD FITTING MATERIAL IS PVC.
- HARDWARE MATERIAL IS TYPE 304 STAINLESS STEEL.
- BOTTOM OUTLET IS OPTIONAL IN LIEU OF SIDE OUTLET AND INSTALLED AT CENTER OF TOWER BOTTOM.

UNIT	F	MOTOR HP	DRY WT. LBS.	OPER. WT. LBS.	SUMP CAPACITY
ΔT 10	25 7/8	1	350	705	40 GAL.
ΔT 15	25 7/8	1 1/2	350	725	
ΔT 20	16 1/2	2	385	750	
ΔT 25	16 1/2	3	405	765	



ITEM	QTY	PART NO.	DESCRIPTION	REMARKS
7	1		BLOWER HOOD (OPTIONAL)	POLYETHYLENE
6	1		FAN GUARD	PVC COATED STEEL
5	1		FILL	PVC
4	1		SPRAY TREE ASSEMBLY	PVC
3	1		MIST ELIMINATOR	PVC
2	1		BLOWER ASSEMBLY	COATED STEEL
1	1		TOWER SHELL	POLYETHYLENE

**DELTA COOLING TOWERS, INC.**  
 41 PINE STREET, ROCKAWAY, NJ 07866  
 PH 973.586.2201 FAX 973.586.2243

**PIONEER**  
 TITLE ΔT 10-25 ASSEMBLY  
 DWN BY Bonnie L. Oldo  
 APPVD BY W. A. Pullman  
 JOB# SCALE 3/4" = 1'-0" DWG NO. DT-C-78-100  
 DATE 10/20/98

INFORMATION CONTAINED HEREIN IS SUBJECT TO CHANGE WITHOUT NOTICE IN THE INTEREST OF PRODUCT IMPROVEMENT.